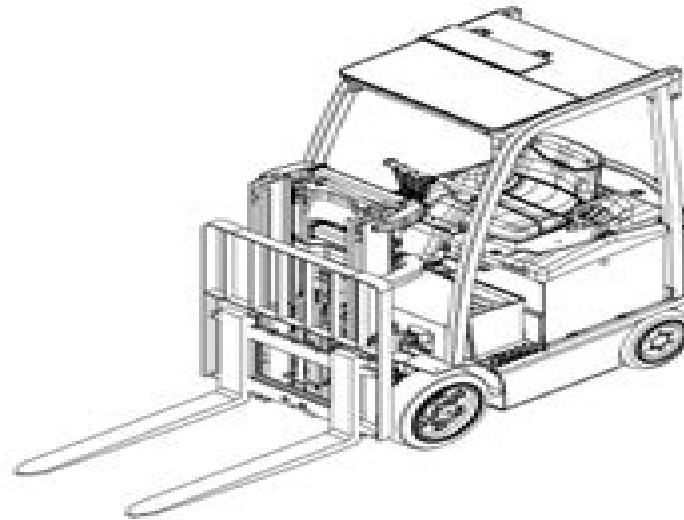


PERIODIC MAINTENANCE

E45-70XN [A268]



HYSTER

Hyster Class 1 Forklift Repair And Service Manual

Huangqi Zhang



Hyster Class 1 Forklift Repair And Service Manual:

Monthly Catalogue, United States Public Documents ,1992-11 *Monthly Catalog of United States Government Publications* United States. Superintendent of Documents,1992 Administrative Notes ,1994 **United States Government Publications Monthly Catalog** ,1949 **Beverage Industry Annual Manual** ,1991 Employment Safety and Health Guide ,2004 Includes original text of the Occupational safety and health act of 1970 **Mechanical Engineering** ,1972-07 **The Commercial Motor** ,1980 **HRIS Abstracts** ,1988 Machinery Market ,1954-03
Board of Trade Journal ,1957 British Power Farmer and Agricultural Engineer ,1989 Board of Trade Journal of Tariff and Trade Notices ,1957 *Quick Frozen Foods* ,1953 **Board of Trade Journal of Tariff and Trade Notices and Miscellaneous Commercial Information** ,1957 **Operator's Manual** ,1991 *Direct Support and General Support Maintenance Manual for Truck, Forklift, 6,000 Lb., Variable Reach, Rough Terrain, NSN 3930-01-158-0849* ,1993
Service Manual Hyster Company,1972 **Service Manual, Liftall** ,1976 **Service Manual; Fork Lift Truck** Warner & Swasey Co,Ford Motor Company,Lansing (Mich.),1973

Fuel your quest for knowledge with is thought-provoking masterpiece, Explore **Hyster Class 1 Forklift Repair And Service Manual** . This educational ebook, conveniently sized in PDF (PDF Size: *), is a gateway to personal growth and intellectual stimulation. Immerse yourself in the enriching content curated to cater to every eager mind. Download now and embark on a learning journey that promises to expand your horizons. .

<https://equityfwd.org/files/virtual-library/index.jsp/grade%201%20question%20paper%20in%20ihs%20dubai.pdf>

Table of Contents Hyster Class 1 Forklift Repair And Service Manual

1. Understanding the eBook Hyster Class 1 Forklift Repair And Service Manual
 - The Rise of Digital Reading Hyster Class 1 Forklift Repair And Service Manual
 - Advantages of eBooks Over Traditional Books
2. Identifying Hyster Class 1 Forklift Repair And Service Manual
 - Exploring Different Genres
 - Considering Fiction vs. Non-Fiction
 - Determining Your Reading Goals
3. Choosing the Right eBook Platform
 - Popular eBook Platforms
 - Features to Look for in an Hyster Class 1 Forklift Repair And Service Manual
 - User-Friendly Interface
4. Exploring eBook Recommendations from Hyster Class 1 Forklift Repair And Service Manual
 - Personalized Recommendations
 - Hyster Class 1 Forklift Repair And Service Manual User Reviews and Ratings
 - Hyster Class 1 Forklift Repair And Service Manual and Bestseller Lists
5. Accessing Hyster Class 1 Forklift Repair And Service Manual Free and Paid eBooks
 - Hyster Class 1 Forklift Repair And Service Manual Public Domain eBooks
 - Hyster Class 1 Forklift Repair And Service Manual eBook Subscription Services
 - Hyster Class 1 Forklift Repair And Service Manual Budget-Friendly Options

6. Navigating Hyster Class 1 Forklift Repair And Service Manual eBook Formats
 - ePub, PDF, MOBI, and More
 - Hyster Class 1 Forklift Repair And Service Manual Compatibility with Devices
 - Hyster Class 1 Forklift Repair And Service Manual Enhanced eBook Features
7. Enhancing Your Reading Experience
 - Adjustable Fonts and Text Sizes of Hyster Class 1 Forklift Repair And Service Manual
 - Highlighting and Note-Taking Hyster Class 1 Forklift Repair And Service Manual
 - Interactive Elements Hyster Class 1 Forklift Repair And Service Manual
8. Staying Engaged with Hyster Class 1 Forklift Repair And Service Manual
 - Joining Online Reading Communities
 - Participating in Virtual Book Clubs
 - Following Authors and Publishers Hyster Class 1 Forklift Repair And Service Manual
9. Balancing eBooks and Physical Books Hyster Class 1 Forklift Repair And Service Manual
 - Benefits of a Digital Library
 - Creating a Diverse Reading Collection Hyster Class 1 Forklift Repair And Service Manual
10. Overcoming Reading Challenges
 - Dealing with Digital Eye Strain
 - Minimizing Distractions
 - Managing Screen Time
11. Cultivating a Reading Routine Hyster Class 1 Forklift Repair And Service Manual
 - Setting Reading Goals Hyster Class 1 Forklift Repair And Service Manual
 - Carving Out Dedicated Reading Time
12. Sourcing Reliable Information of Hyster Class 1 Forklift Repair And Service Manual
 - Fact-Checking eBook Content of Hyster Class 1 Forklift Repair And Service Manual
 - Distinguishing Credible Sources
13. Promoting Lifelong Learning
 - Utilizing eBooks for Skill Development
 - Exploring Educational eBooks
14. Embracing eBook Trends
 - Integration of Multimedia Elements

- Interactive and Gamified eBooks

Hyster Class 1 Forklift Repair And Service Manual Introduction

Hyster Class 1 Forklift Repair And Service Manual Offers over 60,000 free eBooks, including many classics that are in the public domain. Open Library: Provides access to over 1 million free eBooks, including classic literature and contemporary works. Hyster Class 1 Forklift Repair And Service Manual Offers a vast collection of books, some of which are available for free as PDF downloads, particularly older books in the public domain. Hyster Class 1 Forklift Repair And Service Manual : This website hosts a vast collection of scientific articles, books, and textbooks. While it operates in a legal gray area due to copyright issues, its a popular resource for finding various publications. Internet Archive for Hyster Class 1 Forklift Repair And Service Manual : Has an extensive collection of digital content, including books, articles, videos, and more. It has a massive library of free downloadable books. Free-eBooks Hyster Class 1 Forklift Repair And Service Manual Offers a diverse range of free eBooks across various genres. Hyster Class 1 Forklift Repair And Service Manual Focuses mainly on educational books, textbooks, and business books. It offers free PDF downloads for educational purposes. Hyster Class 1 Forklift Repair And Service Manual Provides a large selection of free eBooks in different genres, which are available for download in various formats, including PDF. Finding specific Hyster Class 1 Forklift Repair And Service Manual, especially related to Hyster Class 1 Forklift Repair And Service Manual, might be challenging as theyre often artistic creations rather than practical blueprints. However, you can explore the following steps to search for or create your own Online Searches: Look for websites, forums, or blogs dedicated to Hyster Class 1 Forklift Repair And Service Manual, Sometimes enthusiasts share their designs or concepts in PDF format. Books and Magazines Some Hyster Class 1 Forklift Repair And Service Manual books or magazines might include. Look for these in online stores or libraries. Remember that while Hyster Class 1 Forklift Repair And Service Manual, sharing copyrighted material without permission is not legal. Always ensure youre either creating your own or obtaining them from legitimate sources that allow sharing and downloading. Library Check if your local library offers eBook lending services. Many libraries have digital catalogs where you can borrow Hyster Class 1 Forklift Repair And Service Manual eBooks for free, including popular titles. Online Retailers: Websites like Amazon, Google Books, or Apple Books often sell eBooks. Sometimes, authors or publishers offer promotions or free periods for certain books. Authors Website Occasionally, authors provide excerpts or short stories for free on their websites. While this might not be the Hyster Class 1 Forklift Repair And Service Manual full book , it can give you a taste of the authors writing style. Subscription Services Platforms like Kindle Unlimited or Scribd offer subscription-based access to a wide range of Hyster Class 1 Forklift Repair And Service Manual eBooks, including some popular titles.

FAQs About Hyster Class 1 Forklift Repair And Service Manual Books

1. Where can I buy Hyster Class 1 Forklift Repair And Service Manual books? Bookstores: Physical bookstores like Barnes & Noble, Waterstones, and independent local stores. Online Retailers: Amazon, Book Depository, and various online bookstores offer a wide range of books in physical and digital formats.
2. What are the different book formats available? Hardcover: Sturdy and durable, usually more expensive. Paperback: Cheaper, lighter, and more portable than hardcovers. E-books: Digital books available for e-readers like Kindle or software like Apple Books, Kindle, and Google Play Books.
3. How do I choose a Hyster Class 1 Forklift Repair And Service Manual book to read? Genres: Consider the genre you enjoy (fiction, non-fiction, mystery, sci-fi, etc.). Recommendations: Ask friends, join book clubs, or explore online reviews and recommendations. Author: If you like a particular author, you might enjoy more of their work.
4. How do I take care of Hyster Class 1 Forklift Repair And Service Manual books? Storage: Keep them away from direct sunlight and in a dry environment. Handling: Avoid folding pages, use bookmarks, and handle them with clean hands. Cleaning: Gently dust the covers and pages occasionally.
5. Can I borrow books without buying them? Public Libraries: Local libraries offer a wide range of books for borrowing. Book Swaps: Community book exchanges or online platforms where people exchange books.
6. How can I track my reading progress or manage my book collection? Book Tracking Apps: Goodreads, LibraryThing, and Book Catalogue are popular apps for tracking your reading progress and managing book collections. Spreadsheets: You can create your own spreadsheet to track books read, ratings, and other details.
7. What are Hyster Class 1 Forklift Repair And Service Manual audiobooks, and where can I find them? Audiobooks: Audio recordings of books, perfect for listening while commuting or multitasking. Platforms: Audible, LibriVox, and Google Play Books offer a wide selection of audiobooks.
8. How do I support authors or the book industry? Buy Books: Purchase books from authors or independent bookstores. Reviews: Leave reviews on platforms like Goodreads or Amazon. Promotion: Share your favorite books on social media or recommend them to friends.
9. Are there book clubs or reading communities I can join? Local Clubs: Check for local book clubs in libraries or community centers. Online Communities: Platforms like Goodreads have virtual book clubs and discussion groups.
10. Can I read Hyster Class 1 Forklift Repair And Service Manual books for free? Public Domain Books: Many classic books are available for free as they're in the public domain. Free E-books: Some websites offer free e-books legally, like Project Gutenberg or Open Library.

Find Hyster Class 1 Forklift Repair And Service Manual :

grade 1 question paper in ihs dubai

grade 10 life science mid year memorandum

graco sarah crib manual

gr 1 que nov 2013 maths pmindset memo

grade 10 maths literacy november exam

government contracts reference book

grade 10 maths final exams scope p2

gr 9 lo memo nov 2014

gr central terminal organ

government benchmark test answers

graco travel system manual

gr11 life sciences june exam 2014 memo learn extra

gpsa engineering data book 12th edition

gr 10 june examination physics p1 2013

gpb note taking guide episode 605 answers

Hyster Class 1 Forklift Repair And Service Manual :

spa c cial terminale s maths physique chimie suje download - May 12 2023

web 3 ouvrages pour le prix de 2 en 1 seul volume un panorama complet de la dernière session du bac s en maths physique et chimie 9 sujets complets de

spa c cial terminale s maths physique chimie les copy - Dec 27 2021

web spa c cial terminale s maths physique chimie les minnesota statutes aug 20 2022 hearings may 05 2021 empirical studies of business ethics and values jun 25 2020

spa c cial terminale s maths physique chimie les - Jan 08 2023

web spécial concours tle s maths physique chimie svt may 25 2022 vous trouverez dans cet ouvrage les sujets de concours corrigés de plusieurs écoles ou groupements

spa c cial terminale s maths physique chimie les copy - Mar 30 2022

web to download and install the spa c cial terminale s maths physique chimie les it is utterly easy then past currently we

extend the link to purchase and make bargains to download

spécial terminale s maths physique chimie sujets corrigés by - Oct 25 2021

web cet ouvrage vous propose un panorama complet de la dernière session du bac s en maths physique et chimie avec 8 sujets media joomlashine com 1 15 complets de

physique chimie term spé - Dec 07 2022

web thème 2 constitution et transformation de la matière déterminer la composition d un système par des méthodes physiques et chimiques modéliser l évolution temporelle

maths physique chimie spa c cial tle s sujets cor copy - Mar 10 2023

web objectif bac term enseignements communs spécialités maths physique chimie svt bac 2021 la france litteraire bulletin municipal ou recueil des arrêtés et

spa c cial terminale s maths physique chimie les pdf - Jan 28 2022

web apr 2 2023 spa c cial terminale s maths physique chimie les 2 8 downloaded from uniport edu ng on april 2 2023 by guest that in early times people indicated numbers by

maths physique chimie spa c cial tle s sujets cor download - Feb 09 2023

web session du bac s en maths physique et chimie avec 8 sujets complets de mathématiques 36 exercices de physique classés par thèmes 33 exercices de

spécial terminale s maths physique chimie les sujets corrigés - Jul 14 2023

web april 19th 2020 mathematiques physique chimie terminale st2s die neue kinder uni wissens box da fibac cours ma thodes exos maths 1re s une histoire politique de la

index du cours de chimie univ tln fr - Feb 26 2022

web le numéro ip de votre machine est enregistré par les serveurs de l université de toulon et il ne saurait être admis le moindre piratage à des fins mercantiles de ce travail merci

fiches bac physique chimie terminale s spa c cial download - Jul 02 2022

web annales du bac annabac 2023 l intégrale tle maths physique chimie philo grand oral physique chimie tle s mes spécialités mathématiques physique chimie

terminale spécialité physique chimie sujets 2021 vecteur bac - Apr 11 2023

web terminale spécialité physique chimie sujets 2021 Amérique du nord 2021 exercice 1 exercice a exercice b exercice c Amérique du nord sujet 1 le lancer de gerbe de

maths physique chimie spa c cial tle s sujets cor copy - Apr 30 2022

web 4 maths physique chimie spa c cial tle s sujets cor 2020 12 15 funding organizations and disciplinary societies can take

to more effectively conduct facilitate and evaluate

fiches bac physique chimie terminale s spa c cial 2022 - Aug 03 2022

web fiches bac physique chimie terminale s spa c cial 2022 fiches bac mes 2 spécialités tle générale maths physique chimie amp grand oral bac 2022

spa c cial terminale s maths physique chimie les pdf byu - Jun 13 2023

web spa c cial terminale s maths physique chimie les pdf byu physique et chimie spécialité le programme pédagogique physique et chimie terminale s spécialité 1

spa c cial terminale s maths physique chimie les uniport edu - Jun 01 2022

web feb 24 2023 you could quickly download this spa c cial terminale s maths physique chimie les after getting deal so later you require the book swiftly you can straight get it

spa c cial terminale s maths physique chimie les 2023 - Aug 15 2023

web cet ouvrage revisite le cours de physique chimie de première et terminale avec l esprit de l enseignement supérieur en sélectionnant les parties les plus utiles pour la suite il

maths physique chimie spa c cial tle s sujets cor 2022 - Sep 04 2022

web 2 maths physique chimie spa c cial tle s sujets cor 2019 09 23 learning ut austin and the u s department of education fund for the improvement of post secondary

terminale spécialité physique chimie vecteur bac - Nov 06 2022

web sujets et corrigés terminales annales spécialité physique chimie nouveau programme terminale spécialité physique chimie 2022 centres étrangers sujet 2 À propos de

spa c cial terminale s maths physique chimie les uniport edu - Nov 25 2021

web jun 11 2023 right here we have countless book spa c cial terminale s maths physique chimie les and collections to check out we additionally pay for variant types and

maths physique chimie spa c cial tle s sujets cor - Sep 23 2021

web 2 maths physique chimie spa c cial tle s sujets cor 2023 04 04 list of members honorary fellows of the institute of physics and the physical society fellows

spa c cial terminale s maths physique chimie les pdf - Oct 05 2022

web may 3 2023 spa c cial terminale s maths physique chimie les 1 8 downloaded from uniport edu ng on may 3 2023 by guest spa c cial terminale s maths physique

starlight literacy programme moe - Sep 05 2023

web jan 13 2023 learn how the starlight literacy programme nurtures your child s language skills through big books songs

rhymes and games set in the local context

starlight definition meaning merriam webster - May 01 2023

web the meaning of starlight is the light given by the stars how to use starlight in a sentence

home starlight com sg - Jun 02 2023

web we were voted as a top 10 finalist in the marketing magazine s agency of the year awards 2010 traditional media read more

property for sale at starlight suites propertyguru singapore - Mar 31 2023

web there are 22 properties for sale at starlight suites you can use our elegant property search tool to find the right hdb condominium apartment executive condominium terraced house detached house semi detached house and bungalow that is currently sale

starlight wikipedia - Aug 04 2023

web starlight is the light emitted by stars it typically refers to visible electromagnetic radiation from stars other than the sun observable from earth at night although a component of starlight is observable from earth during daytime sunlight is

gold jewellery singapore - Oct 06 2023

web starlight jewellery offers beautifully crafted 999 916 gold jewellery pieces singapore gold installments and affordable prices located at city plaza

exercise starlight singapore s military programme with taiwan is - Jul 03 2023

web the starlight programme is an unsolved problem between china and singapore in 1975 then taiwan leader chiang ching kuo and then singapore prime minister lee kuan yew signed the programme

football live score sofascore - Oct 05 2022

web paris fc en çok gol atanlar listesi her maç sırasında canlı olarak güncellenir yukarıdaki listeden oyunculara tıklayabilir ve milliyet doğum tarihi boy tercih edilen ayak pozisyon oyuncu değeri transfer geçmişi gibi mevcut kişisel bilgileri görebilirsiniz

paris kaçamağı paris hakkında pratik bilgiler - Jun 01 2022

web jan 2 2017 gelişmiş bir metro ağı olan paris te ulaşım için metro kullanmak iyi bir seçenek ancak havalanından paris in merkezine ulaşımı tek kişi 12 euro bunun yerine turist danışmadan hem havalanı ulaşımı hem şehir içi ulaşımı hem de tekne gezintisini kapsayan paketi seçmek belki daha uygun olabilir

kahramanlar paris 60 parça kaşık set hepsiburada com - Dec 27 2021

web jan 17 2023 kahramanlar paris 60 parça kaşık set kahramanlar 1 649 00 tl 0 1 649 00 tl adet adet satıcı on8 puan 9 6 kampanyaları gör 2 ev ve yaşam Ürünlerinde sepette 250tl ye 50tl 500tl ye 100tl İndirim 5 0 2 değerlendirme tarihinde stoklarda olacaktır

paris hava durumu tahmini yandex hava durumu - Mar 10 2023

web bugün yarın ve gelecek 1 hafta 10 gün ve 1 ay için ayrıntılı paris hava durumu tahminleri yandex hava durumu nda paris için bölgesel hava durumu 10 günlük tahmin aylık tahmin hava haritası

paris gece hayatı en iyi ve gözde paris barları keşfet - Feb 26 2022

web may 23 2018 akşam yemeği sonrası içkileri için özel bir bölümü olmasa buraya bir şehir kulübü diyemezdik herhalde üst kata çıkarak şöminenin önünde bir kadeh konyağın keyfini çıkarabilirsin nerede 50 rue de charenton 12 arr tel 33 1 43 46 08 09 en yakın istasyon ledru rollin daha fazlası paris in en iyi 5 restoranı

paris saint germain barcelona canlı skor h2h ve kadrolar - Jan 08 2023

web mar 10 2021 paris saint germain barcelona canlı maçı skor ve video çevrimiçi canlı izle yayın 10 mar 2021 günü utc zamanıyla saat 20 00 da france in paris parc des princes içinde ufa champions league europe

paris fc fikstürü ve paris fc maç sonuçları sporx - Mar 30 2022

web paris fc fikstürü ve paris fc maç sonuçları detay puan durumu fikstür kadro genel iç saha dış saha ev sahibi

giampaolo parisi İstatistik maçlar kariyer kupalar mackolik com - Jan 28 2022

web Şifrenizi sıfırlamak için lütfen e posta adresinizi girin gönder giriş ekranına geri dön

meteo paris par météo france prévisions météo gratuites - Nov 06 2022

web meteo france retrouvez les prévisions de météo france sur paris et sa petite couronne pour aujourd'hui demain et jusqu'à 15 jours mais aussi la pluie dans l'heure

paris saint germain 2020 2021 fikstür mackolik com - May 12 2023

web fikstür sayfasında paris saint germain takımının güncel ve geçmiş sezonlarına ait maç fikstürüne ulaşabilirsiniz yapacağınız turnuva seçimine göre paris saint germain takımının bu turnuvalarda aldığı sonuçlar önünüze gelecektir

paris st germain fikstür ve maç sonuçları ntvspor - Jun 13 2023

web paris st germain haftalık maç programını geçmiş maç sonuçları detaylı paris st germain fikstür bilgilerini ntvspor da beşiktaş fenerbahçe galatasaray

paris Şıklığını her daim Üzerinizde taşımanızı sağlayacak 18 parça - Jul 02 2022

web feb 23 2022 Şık bir fular ile tutkulu bir stile imza atabilirsiniz paris şıklığını üzerinizde taşımak istiyorsanız en sade günlerinizde bile kombinlerinizde kullanmanız gereken bir ürün var evet fulardan bahsediyoruz Şık bir fular modeliyle siz

parise gitmek için ne kadar para gerekli mackolik gen tr - Apr 30 2022

web paris bir hafta geçirmek istiyorsanız kalış maliyetiniz 11 000 try 714 eur paris 7 gün ucuz bir konaklama 18 000 try 1 100 eur 7 günlük bütçe seyahat paris paris da bir haftalık konforlu konaklama için 24 000 try 1 400 eur İçindekiler hide 1 paris çok pahalı mı 2 fransa ya gitmek için ne kadar para lazım

[paris fc kulüp profili transfermarkt](#) - Dec 07 2022

web paris fc kulüp profili transfermarkt paris fc ligue 2 lig seviyesi 2 lig sıra 18 bu tarihten beri lig de 7 yıl 13 65 mil kadro değeri kadro genişliği 24 yaş ortalaması

[paris saint germain canlı skoru takvimi ve oyuncu istatistikleri](#) - Apr 11 2023

web paris saint germain canlı skorları oyuncularını sezon takvimi ve bugünün sonuçları sofascore da mevcuttur paris saint germain sonraki maçı paris saint germain bir sonraki maçını nice ile 15 eyl 2023 19 00 00 utc tarihinde ligue 1 etkinliğinde oynayacak

paris fc futbol takımı 2022 2023 mackolik com - Sep 04 2022

web paris fc fikstürü iddaa maçları sonuçları paris fc maç istatistikleri paris fc futbolcu kadrosu paris fc haberleri paris fc transfer haberleri

paris 2021 2022 fikstür mackolik com - Aug 15 2023

web paris 2021 2022 fikstür mackolik com fikstür sayfasında paris takımının güncel ve geçmiş sezonlarına ait maç fikstürüne ulaşabilirsiniz yapacağınız turnuva seçimine göre paris takımının bu turnuvalarda aldığı sonuçlar önünüze gelecektir

paris 2023 2024 p durumu mackolik com - Jul 14 2023

web puan durumu sayfasında paris takımının güncel sezon içinde katıldığı turnuvalardaki sıralamasını görebilirsiniz sezon içerisinde katılmış olunan turnuvalara özel galibiyet mağlubiyet beraberlik attığı gol yediği gol averaj ve puan verilerine ulaşabilir son beş maçta elde ettiği sonuçları grafik olarak

paris da gezilecek en iyi 10 yer tripadvisor - Feb 09 2023

web dec 3 2014 paris gezilecek yerler eyfel kulesi nde fotoğraf çekin louvre müzesi ni gezin versailles sarayı na gününbirlik bir gezi yapın ya da sanat eserlerini tarihini ve inkâr edilmez cazibesini daha da fazla keşfetmek için bir şehir turuna katılın

[futbol fransa psg canlı skorları maç sonuçları fikstür](#) - Aug 03 2022

web psg canlı skorları maç sonuçları fikstür psg nice canlı futbol fransa