

GENERAL MIKUNI SLIDE CARB CIRCUITRY

This manual is intended as a guide for users of Mikuni carburetors who want to learn the basic methods of tuning and adjusting to obtain top performance and fuel economy. The arrows that appear in the drawings in this text show direction in which air, fuel, and air-fuel mixture flows.

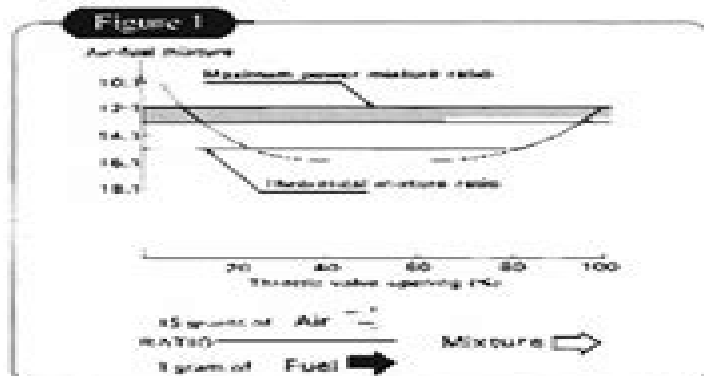
Information herewith obtained from Mikuni engineering data and manuals.

1. CARBURETOR FUNCTION

The function of a carburetor is to deliver a combustible air-fuel mixture to the engine. However, in order to be effective, it must first break the fuel into tiny particles (in the form of vapor) and then mix the fuel with air in a proper ratio so it can burn without leaving excess fuel or air.

2. AIR-FUEL MIXTURE (Fig.1)

The mixture of the air-fuel ratio is generally expressed by its relative weight proportions. For example, the amount of air required for complete combustion of 1 gram of fuel under normal conditions is:



Varying mixture ratios are required for the engine depending on operating conditions. Although the required mixture ratio varies more or less with the type of engine, its cooling efficiency, etc., the mixture ratio shown in Fig. 1 is required for ordinary engines. In the high speed range the ratio of about 12 to 13 grams of air for 1 gram of fuel produces the maximum output. However, in the case of an engine with low cooling efficiency, a somewhat richer mixture (10 to 12 grams of air against 1 gram of fuel) may be required to prevent seizure of the engine.

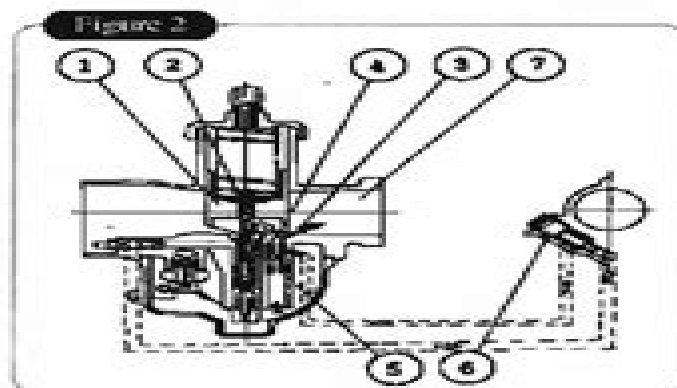
3. FUNCTIONS AND CONSTRUCTION MIKUNI SLIDE TYPE CARBURETORS

Motorcycle engines are operated under a wide range of conditions, from idling with the throttle valve (Fig. 3(1)) remaining almost closed, to the full load (the maximum output) with the throttle valve fully opened. In order to meet the requirements for the proper mixture ratio under those varying conditions, a low-speed fuel system (the pilot system) and a main fuel system (the main system) are provided in Mikuni Slide-type carburetors, except Mikuni TMS.

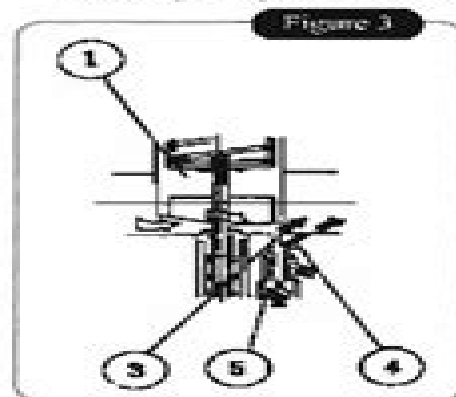
A. - The Pilot System

Low-speed fuel system (Fig. 2 and Fig. 3)

Since the engine is operated with the throttle valve almost closed at idling or in the low speed range, the velocity of air flowing through the needle jet (2) is slow. Consequently, a vacuum strong enough to draw fuel from the needle jet in main fuel system is not created. The fuel supply during this low speed operation is controlled by means of the pilot outlet (3) and the bypass (4) that are situated nearest to the engine. At idle, when the throttle valve is slightly opened, fuel injected by the pilot jet (5) is mixed with air adjusted in a proper amount by the air screw (6) and is broken into fine vapor particles.



The mixture is again mixed with air coming from the bypass and is drawn into the pilot outlet to mix with air flowing through the main bore (7). The fuel mixed with air at this stage then goes to into the engine. When the throttle valve is opened slightly during low speed operation, the pilot outlet alone cannot supply the required fuel and the shortage has to be made up with fuel injected from the from the bypass. The adjustment of the mixture ratio during this stage is made by the pilot jet and the air screw, as in the case



of a two-hole type fuel system (Fig. 3). While at low speed operation, if full throttle is rotated a similar shortage of fuel again has to be injected from the bypass until enough (vacuum) can be created to draw fuel from the main fuel system. There is also a one-hole type low speed fuel system mainly used for carburetors having a small main bore. The process of producing the air-fuel mixture and of adjusting the mixture ratio are the same as in a two-hole type low speed system.

Mikuni Repair Manual Motorcycle

**Chilton Book Company, Joseph
Pellicciotti**



Mikuni Repair Manual Motorcycle:

Chilton's Motorcycle Repair Manual ,1976 *WALNECK'S CLASSIC CYCLE TRADER, DECEMBER 2007* Causey Enterprises, LLC, **First Generation Hinckley Triumph (T300) Motorcycles** David Clarke,2021-10-25 The early Hinckley Triumphs produced from 1991 to 2004 Trophy Daytona Trident Trident Sprint Tiger Speed Triple Adventurer Thunderbird were designed and manufactured using a modular concept This assists in the sharing of components across the range of bikes which was useful with the restricted availability of spare parts With over 725 colour photographs this book provides helpful guidance on keeping your bike on the road including a discussion of the models produced and their modular design identifying common problems and how to address them There is a comprehensive guide to maintenance including the tools required and details of restoration modification and upgrades from changing the exhaust to fabricating swing arms There is a useful list of suppliers for both new and reconditioned parts as well as specialist service providers **The Complete Guide to Motorcycle Repair and Maintenance** Neil Schultz,1977 **Mini-bike Service Manual** Intertec Publishing Corporation. Technical Publications Division,1972 *WALNECK'S CLASSIC CYCLE TRADER, NOVEMBER 2007* Causey Enterprises, LLC, **Chilton's Motorcycle Troubleshooting Guide** Chilton Book Company,Joseph Pellicciotti,1977 Clymer Snowmobile Service Manual 11th Edition Penton Staff,1991-06-01 With the help of the Clymer Snowmobile Service Manual 11th Edition in your toolbox you will be able to maintain service and repair your snowmobile to extend its life for years to come Clymer manuals are very well known for their thorough and comprehensive nature This manual is loaded with step by step procedures along with detailed photography exploded views charts and diagrams to enhance the steps associated with a service or repair task This Clymer manual is organized by subsystem with procedures grouped together for specific topics such as front suspension brake system engine and transmission It includes color wiring diagrams The language used in this Clymer repair manual is targeted toward the novice mechanic but is also very valuable for the experienced mechanic The service manual by Clymer is an authoritative piece of DIY literature and should provide you the confidence you need to get the job done and save money too *Snowmobile Service Manual* Intertec Publishing Corporation. Technical Publications Division,1979 Cycle World Magazine ,1977-01 *Mikuni Carburetor and Parts Manual* Sudco International Corporation,1982? Cycle World ,1994 *Chilton's Motorcycle Repair Manual* ,1981 **Cycle World Magazine** ,1977-01 Cycle World Magazine ,1977-01 **Cycle World Magazine** ,1992-01 Cycle World Magazine ,1980-01 Mikuni Carburetor and Parts Manual Sudco International,1982 Cars & Parts ,1990 Car and Driver ,1983

Immerse yourself in the artistry of words with Crafted by is expressive creation, Immerse Yourself in **Mikuni Repair Manual Motorcycle** . This ebook, presented in a PDF format (PDF Size: *), is a masterpiece that goes beyond conventional storytelling. Indulge your senses in prose, poetry, and knowledge. Download now to let the beauty of literature and artistry envelop your mind in a unique and expressive way.

https://equityfwd.org/book/browse/fetch.php/Manual_Elgin_Zc_Lw_03.pdf

Table of Contents Mikuni Repair Manual Motorcycle

1. Understanding the eBook Mikuni Repair Manual Motorcycle
 - The Rise of Digital Reading Mikuni Repair Manual Motorcycle
 - Advantages of eBooks Over Traditional Books
2. Identifying Mikuni Repair Manual Motorcycle
 - Exploring Different Genres
 - Considering Fiction vs. Non-Fiction
 - Determining Your Reading Goals
3. Choosing the Right eBook Platform
 - Popular eBook Platforms
 - Features to Look for in an Mikuni Repair Manual Motorcycle
 - User-Friendly Interface
4. Exploring eBook Recommendations from Mikuni Repair Manual Motorcycle
 - Personalized Recommendations
 - Mikuni Repair Manual Motorcycle User Reviews and Ratings
 - Mikuni Repair Manual Motorcycle and Bestseller Lists
5. Accessing Mikuni Repair Manual Motorcycle Free and Paid eBooks
 - Mikuni Repair Manual Motorcycle Public Domain eBooks
 - Mikuni Repair Manual Motorcycle eBook Subscription Services
 - Mikuni Repair Manual Motorcycle Budget-Friendly Options

6. Navigating Mikuni Repair Manual Motorcycle eBook Formats
 - ePub, PDF, MOBI, and More
 - Mikuni Repair Manual Motorcycle Compatibility with Devices
 - Mikuni Repair Manual Motorcycle Enhanced eBook Features
7. Enhancing Your Reading Experience
 - Adjustable Fonts and Text Sizes of Mikuni Repair Manual Motorcycle
 - Highlighting and Note-Taking Mikuni Repair Manual Motorcycle
 - Interactive Elements Mikuni Repair Manual Motorcycle
8. Staying Engaged with Mikuni Repair Manual Motorcycle
 - Joining Online Reading Communities
 - Participating in Virtual Book Clubs
 - Following Authors and Publishers Mikuni Repair Manual Motorcycle
9. Balancing eBooks and Physical Books Mikuni Repair Manual Motorcycle
 - Benefits of a Digital Library
 - Creating a Diverse Reading Collection Mikuni Repair Manual Motorcycle
10. Overcoming Reading Challenges
 - Dealing with Digital Eye Strain
 - Minimizing Distractions
 - Managing Screen Time
11. Cultivating a Reading Routine Mikuni Repair Manual Motorcycle
 - Setting Reading Goals Mikuni Repair Manual Motorcycle
 - Carving Out Dedicated Reading Time
12. Sourcing Reliable Information of Mikuni Repair Manual Motorcycle
 - Fact-Checking eBook Content of Mikuni Repair Manual Motorcycle
 - Distinguishing Credible Sources
13. Promoting Lifelong Learning
 - Utilizing eBooks for Skill Development
 - Exploring Educational eBooks
14. Embracing eBook Trends
 - Integration of Multimedia Elements

- Interactive and Gamified eBooks

Mikuni Repair Manual Motorcycle Introduction

In the digital age, access to information has become easier than ever before. The ability to download Mikuni Repair Manual Motorcycle has revolutionized the way we consume written content. Whether you are a student looking for course material, an avid reader searching for your next favorite book, or a professional seeking research papers, the option to download Mikuni Repair Manual Motorcycle has opened up a world of possibilities. Downloading Mikuni Repair Manual Motorcycle provides numerous advantages over physical copies of books and documents. Firstly, it is incredibly convenient. Gone are the days of carrying around heavy textbooks or bulky folders filled with papers. With the click of a button, you can gain immediate access to valuable resources on any device. This convenience allows for efficient studying, researching, and reading on the go. Moreover, the cost-effective nature of downloading Mikuni Repair Manual Motorcycle has democratized knowledge. Traditional books and academic journals can be expensive, making it difficult for individuals with limited financial resources to access information. By offering free PDF downloads, publishers and authors are enabling a wider audience to benefit from their work. This inclusivity promotes equal opportunities for learning and personal growth. There are numerous websites and platforms where individuals can download Mikuni Repair Manual Motorcycle. These websites range from academic databases offering research papers and journals to online libraries with an expansive collection of books from various genres. Many authors and publishers also upload their work to specific websites, granting readers access to their content without any charge. These platforms not only provide access to existing literature but also serve as an excellent platform for undiscovered authors to share their work with the world. However, it is essential to be cautious while downloading Mikuni Repair Manual Motorcycle. Some websites may offer pirated or illegally obtained copies of copyrighted material. Engaging in such activities not only violates copyright laws but also undermines the efforts of authors, publishers, and researchers. To ensure ethical downloading, it is advisable to utilize reputable websites that prioritize the legal distribution of content. When downloading Mikuni Repair Manual Motorcycle, users should also consider the potential security risks associated with online platforms. Malicious actors may exploit vulnerabilities in unprotected websites to distribute malware or steal personal information. To protect themselves, individuals should ensure their devices have reliable antivirus software installed and validate the legitimacy of the websites they are downloading from. In conclusion, the ability to download Mikuni Repair Manual Motorcycle has transformed the way we access information. With the convenience, cost-effectiveness, and accessibility it offers, free PDF downloads have become a popular choice for students, researchers, and book lovers worldwide. However, it is crucial to engage in ethical downloading practices and prioritize personal security when utilizing online platforms. By doing so, individuals can make the most of the vast array of free PDF resources available

and embark on a journey of continuous learning and intellectual growth.

FAQs About Mikuni Repair Manual Motorcycle Books

What is a Mikuni Repair Manual Motorcycle PDF? A PDF (Portable Document Format) is a file format developed by Adobe that preserves the layout and formatting of a document, regardless of the software, hardware, or operating system used to view or print it. **How do I create a Mikuni Repair Manual Motorcycle PDF?** There are several ways to create a PDF: Use software like Adobe Acrobat, Microsoft Word, or Google Docs, which often have built-in PDF creation tools. Print to PDF: Many applications and operating systems have a "Print to PDF" option that allows you to save a document as a PDF file instead of printing it on paper. Online converters: There are various online tools that can convert different file types to PDF. **How do I edit a Mikuni Repair Manual Motorcycle PDF?** Editing a PDF can be done with software like Adobe Acrobat, which allows direct editing of text, images, and other elements within the PDF. Some free tools, like PDFescape or Smallpdf, also offer basic editing capabilities. **How do I convert a Mikuni Repair Manual Motorcycle PDF to another file format?** There are multiple ways to convert a PDF to another format: Use online converters like Smallpdf, Zamzar, or Adobe Acrobats export feature to convert PDFs to formats like Word, Excel, JPEG, etc. Software like Adobe Acrobat, Microsoft Word, or other PDF editors may have options to export or save PDFs in different formats. **How do I password-protect a Mikuni Repair Manual Motorcycle PDF?** Most PDF editing software allows you to add password protection. In Adobe Acrobat, for instance, you can go to "File" -> "Properties" -> "Security" to set a password to restrict access or editing capabilities. Are there any free alternatives to Adobe Acrobat for working with PDFs? Yes, there are many free alternatives for working with PDFs, such as: LibreOffice: Offers PDF editing features. PDFsam: Allows splitting, merging, and editing PDFs. Foxit Reader: Provides basic PDF viewing and editing capabilities. How do I compress a PDF file? You can use online tools like Smallpdf, ILovePDF, or desktop software like Adobe Acrobat to compress PDF files without significant quality loss. Compression reduces the file size, making it easier to share and download. Can I fill out forms in a PDF file? Yes, most PDF viewers/editors like Adobe Acrobat, Preview (on Mac), or various online tools allow you to fill out forms in PDF files by selecting text fields and entering information. Are there any restrictions when working with PDFs? Some PDFs might have restrictions set by their creator, such as password protection, editing restrictions, or print restrictions. Breaking these restrictions might require specific software or tools, which may or may not be legal depending on the circumstances and local laws.

Find Mikuni Repair Manual Motorcycle :

manual elgin zc lw-03

manual evenflo knapsack

manual for 2005 kawasaki klx110 dirt bike

manual for acer aspire e1 571

manual do celular nokia asha 200

manual fiat uno 2006

manual electric linde

manual driving lessons racv

manual do nokia lumia 710 em portugues

manual exposure photography

manual epson eh-tw3200

manual for a rheem 90 furnace

manual for 1985 omc service

manual engine honda grand civic

~~manual do playstation 3 em portugues~~

Mikuni Repair Manual Motorcycle :

das innere team schulz von thun institut - Feb 23 2023

web das innere team willst du ein guter kommunikator sein dann schau auch in dich selbst hinein mit dem modell des inneren teams folgen wir dieser empfehlung und betrachten die innenseite der kommunikation genauer

das innere team als systemische intervention robert hiesel - Jun 17 2022

web jun 25 2016 eine einführung des modells des inneren teams als systemische intervention in der psychotherapeutischen arbeit mit klienten gekürzte fassung inhaltsverzeichnis 1 einleitung 1 1 die entstehungsgeschichte und persönliche motivation zur arbeit 1 2 beschreibung der arbeit 1 2 1 grundlegende annahmen und

das innere team 10 beispiele und Übungen antje liebe - Mar 27 2023

web may 9 2022 was ist zu tun bei innerer uneinigkeit in solchen momenten ist das oberhaupt in der methode das innere team gefragt eine reaktion zu er finden mit dem sich alle teammitglieder anfreunden können ein teambuilding ist gefragt nach friedemann schulz von thun im modell das innere team kann dies durch folgende

fortbildungen für psychotherapeuten institut für integrative - Apr 15 2022

web inneres team in der psychotherapie basiskurs die fortbildung führt in die methoden der psychotherapeutischen arbeit mit dem inneren team ein themen das modell des inneren teams trauma und traumatisierung im inneren team visualisierung und arbeit am blatt arbeit auf der äußeren bühne psychodramatische und gestalttherapeutische techniken

das innere team in der psychotherapie methoden un copy - Feb 11 2022

web 2 das innere team in der psychotherapie methoden un 2021 07 30 figures and ultimately build an internal counterweight to their trauma reddemann s approach avoids the counterproductive dynamic where the therapist becomes the patient s only source of

das innere team in der psychotherapie leben lernen bd 265 methoden - May 29 2023

web die aus coaching und einzelberatung bekannte methode des inneren teams führt auch in der psychotherapie zu guten erfolgen die hierfür nötigen veränderungen erweiterungen und neuen schwerpunktsetzungen des

das innere team in der psychotherapie methoden un full pdf - Dec 24 2022

web das innere team in der psychotherapie leben lernen bd 265 nov 09 2021 die aus coaching und einzelberatung bekannte methode des inneren teams führt auch in der psychotherapie zu guten erfolgen

download free das innere team in der psychotherapie methoden un - Mar 15 2022

web das innere team in der psychotherapie methoden un the handbook of body psychotherapy and somatic psychology jan 26 2020 the handbook of body psychotherapy and somatic psychology provides a comprehensive overview of body centered psychotherapies which stress the centrality of the body to overcoming

das innere team in der psychotherapie integrative teilearbeit - Sep 01 2023

web dagmar kumbier das innere team in der psychotherapie using the inner team in therapy modell und methode des inneren teams von friedemann schulz von thun sind für den bereich von coaching und beratung entwickelt worden

das innere team in der psychotherapie methoden un - Aug 20 2022

web 2 das innere team in der psychotherapie methoden un 2022 01 09 innere vielstimmigkeit verstehen lernen und zur inneren teamentwicklung fähig werden können wir kraftvoll handeln und stimmig kommunizieren sowohl in Übereinstimmung mit uns selbst als auch mit den belangen der situation aufstellungsarbeit mit dem inneren

das innere team in der psychotherapie methoden un pdf - Oct 02 2023

web 2 das innere team in der psychotherapie methoden un 2022 06 25 the dialogical self theory in education ernst reinhardt verlag sportliche höchstleistungen stellen sich ein wenn kopf bauch und handeln als eines erlebt werden der autor betreut seit langem spitzensportler und widmet sich dem zusammenspiel von denken fühlen und handeln

das innere team in der psychotherapie klett cotta - Jul 31 2023

web dec 16 2016 die aus coaching und einzelberatung bekannte methode des inneren teams führt auch in der psychotherapie zu guten erfolgen die hierfür nötigen veränderungen erweiterungen und neuen schwerpunktsetzungen des konzepts werden praxisnah vorgestellt

die arbeit mit dem inneren team in beratung und therapie - Sep 20 2022

web das ziel in der beratung oder in der psychologischen arbeit mit dem inneren team ist es die einzelnen persönlichkeitsanteile zu integrieren und in eine respektvolle und vollständiger kommunikation miteinander zu bringen sowie in kooperativen beziehungen

das innere team in der psychotherapie methoden un 2022 - Jun 29 2023

web gesprächsführung in der sozialen arbeit das innere team in der psychotherapie methoden un downloaded from admin store motogp com by guest pierre jair friedemann schulz von thun das modell vom inneren team eine darstellung bod books on demand das konzept des inneren teams ist ein angebot an coaches und

methode des inneren teams impart - Oct 22 2022

web der workshop richtet sich an beraterinnen coaches und trainerinnen in diesem ersten methodenkoffer wird die methode des inneren teams in coaching und beratungsprozessen zum thema gemacht das innere team ist ein persönlichkeitsmodell des hamburger psychologen friedemann schulz von thun mit der metaphor eines

das innere team in der psychotherapie methoden un book - May 17 2022

web dieses buch zeigt wie man das innere team schulz von thun in psychotherapie und beratung einsetzen kann indem ratsuchende ihre verschiedenen persönlichkeitsanteile durch tiere symbolisieren

das innere team in der psychotherapie bücher de - Jul 19 2022

web die aus coaching und einzelberatung bekannte methode des inneren teams führt auch in der psychotherapie zu guten erfolgen die hierfür nötigen veränderungen erweiterungen und neuen schwerpunktsetzungen des

arbeiten mit dem inneren team grundlagen und vorgehensweise - Apr 27 2023

web apr 5 2020 ein ansatz innere konflikte zu visualisieren und zu bearbeiten ist die methode des inneren teams die methode macht widersprüche oder mehrdeutigkeiten anschaulich und trägt zu ihrer klärung bei sie basiert auf einem persönlichkeitsmodell des hamburger psychologen und kommunikationswissenschaftlers friedemann schulz von

inneres team wikipedia - Jan 25 2023

web das innere team ist eine abwandlung der parts party einer methode der systemischen familientherapie die von virginia satir in den 1970er jahren entwickelt wurde zudem stützt sich sein modell auf die unter anderem von margaret paul und erika j chopich beschriebenen in einem menschen interagierenden persönlichkeitsanteile 2

das innere team in der psychotherapie leben lernen bd 265 - Nov 22 2022

web jun 5 2014 das modell eröffnet neue sichten auf diagnostische kategorieen wie traumafolgestörungen depressionen angststörungen und strukturelle störungen und liefert den hintergrund für ein

lexus lx470 owner s and service manuals online download - Oct 04 2022

web owner car lexus lexus lx470 lexus lx470 2007 om60c81u owner s manual lexus lx470 2007 om60c81u owner s manual lexus lx470 looking for a

lexus lx470 2006 owners manual 493 pages car manuals - Apr 29 2022

web lexus lx 470 workshop repair and owners manuals for all years and models free pdf download for thousands of cars and trucks

lexus lx 470 owner s manual pdf download - Aug 14 2023

web manual view the manual for the lexus lx 470 2007 here for free this manual comes under the category cars and has been rated by 1 people with an average of a 9 3 this

lexus lx470 2006 owner s manual pdf for free - Jan 27 2022

web i need to know what tools go in the trunk of a lexus 2002 lexus owner manual workkshop manual check system tire pressure sensors check system

lexus lx470 2000 owner s manual manualzz - Sep 03 2022

web lexus lx470 2006 owner s manuals and service manuals for online browsing and download view lexus lx470 manuals online for free carmanualsonline info is the

lexus lx470 2006 user guide 493 pages car manuals online - May 31 2022

web lexus lx470 pdf manual to your attention is a set of dealery instructions for cars lexus lx470 this is a set tehcnical information that includes detailing wiring electrical

user manual lexus lx 470 2000 english 597 pages - Mar 09 2023

web view the manual for the lexus lx 470 2002 here for free this manual comes under the category cars and has been rated by 1 people with an average of a 9 4 this manual is

user manual lexus lx 470 2007 english 426 pages - Jun 12 2023

web select an interactive manual to view from manuals guides

user manual lexus lx 470 2002 english 369 pages - Jan 07 2023

web view online 369 pages or download pdf 6 54 mb lexus lx470 2002 owner s manual lx470 pdf manual download and more lexus online manuals

lexus 2006 lx 470 manual pdf download manualslib - May 11 2023

web view the manual for the lexus lx 470 2000 here for free this manual comes under the category cars and has been rated

by 1 people with an average of a 7.5 this manual is

lexus lx470 factory service repair manuals cardiagn - Dec 26 2021

web official lexus lx 470 workshop manual is the complete service repair information system containing comprehensive illustrations and wiring diagrams accurate clear

lexus lx470 2007 om60c81u owner s manual pdf for free - Aug 02 2022

web view print and download for free lexus lx470 2006 user guide 493 pages pdf size 7.79 mb search in lexus lx470 2006 user guide online carmanualsonline info is

lexus lx470 pdf manual epcatalogs - Mar 29 2022

web the lexus lx470 2006 owner s manual is an essential guide for anyone who owns this high end suv with detailed instructions on how to operate and maintain your vehicle

lexus lx 470 free workshop and repair manuals - Feb 25 2022

web this manual provides information on diagnosis service procedures adjustments and specifications for the 2005 lexus lx470 second generation j100 with 4.7l 2uz fe

2006 lexus lx470 owner s and service manuals online - Jul 01 2022

web view print and download for free lexus lx470 2006 owners manual 493 pages pdf size 7.79 mb search in lexus lx470 2006 owners manual online

download lexus lx470 owner s manual manualslib - Feb 08 2023

web 2001 lexus lx470 pdf owner s manuals in english comfort adjustment 70 pages maintenance schedule 43 pages audio 24 pages lexus lx470 models 2006

lexus lx470 owner s manual pdf download - Jul 13 2023

web view and download lexus 2006 lx 470 manual online 2006 lx 470 automobile pdf manual download *manual my lexus* - Apr 10 2023

web lexus lx470 owner s manual brand lexus category automobile size 3.5 mb pages 426

lexus lx 470 workshop repair manual download pdf - Oct 24 2021

2001 lexus lx470 pdf owner s manuals carmanuals2 com - Dec 06 2022

web manufacturers lexus lx470 lexus lx470 owner s and service manuals online download pdf lexus lx470 owner s manuals and service manuals for online

lexus lx470 2002 owner s manual manualzz - Nov 05 2022

web view online 597 pages or download pdf 3 mb lexus lx470 owner s manual lx470 cars pdf manual download and more

lexus online manuals

free lexus user manuals manualsonline com - Nov 24 2021

harry potter voldemort s wand with sticker kit hachette book - Feb 09 2023

web mar 25 2014 this one of a kind mini collectible set includes a deluxe light up replica of lord voldemort s wand and a sticker book filled with images from the films a perfect gift for harry potter and wizarding world fans specifications includes two pieces that when assembled form an 8 inch finely detailed replica of lord voldemort s wand inspired

harry potter voldemort s wand with sticker kit lights up - Mar 10 2023

web book included 2 1 2 x 3 inch 16 page book featuring 8 full color stickers of scenes from the harry potter films highlighting memorable battles with the dark lord perfect gift voldemort s wand is a perfect gift or self purchase for fans everywhere officially licensed authentic harry potter collectible battery included

harry potter voldemort s wand with sticker kit lig download - Feb 26 2022

web harry potter voldemort s wand with sticker kit lig harry potter and the prisoner of azkaban dec 26 2020 welcome to the knight bus emergency transport for the stranded witch or wizard just stick out your wand hand step on board and we can take you anywhere you want to go when the knight bus crashes

harry potter voldemort s wand with sticker kit lights up rp - Jul 14 2023

web harry potter voldemort s wand with sticker kit lights up rp minis running press amazon com tr kitap kitap güzel sanatlar ve fotoğraf filmler normal fiyat 265 84 tl fiyatlara kdv dahildir Ücretsiz teslimat 17 mart cuma 2 saat 26 dakika içinde sipariş verirsiniz teslimat adresini seçin stokta var miktar sepete ekle Şimdi al

rp minis harry potter voldemort s wand with sticker kit - Aug 15 2023

web bring home a deluxe piece of harry potter s wizarding world with this commemorative lord voldemort wand and stand kit the set includes 7 62 x 5 08 x 10 16 cm light up of the wand belonging to lord voldemort one of a kind wand stand in the form of nagini book of 8 photographic stickers highlighting the most memorable battles with the dark lord

harry potter voldemort s wand with sticker kit lig download - Dec 27 2021

web harry potter harry potter wizard s wand with sticker book study harry potter s magical success harry potter voldemort s wand with sticker kit lig downloaded from dashboard skreens com by guest conner giovanna harry potter voldemort s wand with sticker kit simon and schuster in this spellbinding book harry potter film

harry potter voldemort s wand with sticker kit lig j k rowling - Jan 28 2022

web harry potter golden snitch sticker kit running press 2006 09 26 celebrate harry potter with this collectible golden snitch and display stand inspired by the most magical sport in the world quidditch kit includes golden snitch with detachable wings

wooden display stand sticker book featuring 8 colorful stickers of images from the wizarding

[harry potter voldemort s wand with sticker kit lights up](#) - Mar 30 2022

web sep 19 2016 this commemorative kit includes an 8 inch light up replica of the wand belonging to the evil lord voldemort the kit also includes a book of photographic stickers highlighting the most memorable battles with the dark lord

harry potter voldemort s wand with sticker kit lights up rp - May 12 2023

web mar 25 2014 bring home a deluxe piece of harry potter s wizarding world with this commemorative lord voldemort wand and stand kit the set includes 8 inch light up replica of the wand belonging to lord voldemort

[amazon com customer reviews harry potter voldemort 39 s wand](#) - Oct 05 2022

web find helpful customer reviews and review ratings for harry potter voldemort s wand with sticker kit lights up rp minis at amazon com read honest and unbiased product reviews from our users

harry potter voldemort s wand with sticker kit lights up - Nov 06 2022

web mar 25 2014 bring home a deluxe piece of harry potter s wizarding world with this commemorative lord voldemort wand and stand kit the set includes 8 inch light up replica of the wand belonging to lord voldemort

harry potter voldemort s wand with sticker kit booktopia - Jun 01 2022

web booktopia has harry potter voldemort s wand with sticker kit lights up by running press buy a discounted combined pack with 2 or more items of harry potter voldemort s wand with sticker kit online from australia s leading online bookstore

[harry potter voldemort s wand with sticker kit lights up](#) - Jun 13 2023

web mar 5 2014 this commemorative kit includes an 8 inch light up replica of the wand belonging to the evil lord voldemort it also includes a book of photographic stickers highlighting the most memorable battles with the dark lord

harry potter voldemort s wand with sticker kit house of spells - Apr 30 2022

web harry potter voldemort s wand with sticker kit from house of spells bring home a deluxe piece of harry potter s wizarding world with this harry potter voldemort s wand with sticker kit order soon free uk shipping available

[harry potter voldemort s wand with sticker kit rp minis](#) - Jul 02 2022

web bring home a deluxe piece of harry potter s wizarding world with this commemorative lord voldemort wand and stand kit the set includes 8 inch light up replica of the wand belonging to lord voldemort one of a kind wand stand in the form of nagini book of 8 photographic stickers highlighting the most memorable battles with the dark lord

[harry potter lord voldemort s wand with sticker kit](#) - Aug 03 2022

web bring home a deluxe piece of harry potter s wizarding world with this commemorative lord voldemort wand and stand kit the set includes 8 inch light up replica of the wand belonging to lord voldemort one of a kind wand stand in the form of nagini book of 8 photographic stickers highlighting the most memorable battles with the dark lord

harry potter voldemort s wand with sticker kit lights up rp - Apr 11 2023

web this officially licensed kit eighth in the best selling series from running press features a light up replica of lord voldemort s wand with nagini stand buchrückseite this commemorative kit includes an 8 inch light up replica of

amazon com tr müşteri yorumları harry potter voldemort 39 s wand - Jan 08 2023

web amazon com tr sitesinde harry potter voldemort s wand with sticker kit lights up miniature editions ürünü için faydalı müşteri yorumlarını ve derecelendirmeleri bulabilirsiniz kullanıcılarımızın samimi ve tarafsız ürün yorumlarını okuyun

harry potter voldemort s wand with sticker kit lights up - Sep 04 2022

web harry potter s has cast a record breaking spell on fans for over a decade the momentum continues today through a passionate worldwide fan base this officially licensed kit eighth in the best selling series from running press features a light up replica of lord voldemort s wand with nagini stand

harry potter lord voldemort s wand with sticker kit with book s - Dec 07 2022

web compre online harry potter lord voldemort s wand with sticker kit with book s and 8 inch light up replica of lord voldemort s wand lights up de running press na amazon frete grÁtis em milhares de produtos com o amazon prime